

Features

- Ideal for indication light on hand held products
- Long life and robust package
- Standard Package: 2000pcs/ Reel
- MSL (Moisture Sensitivity Level): 3
- RoHS compliant

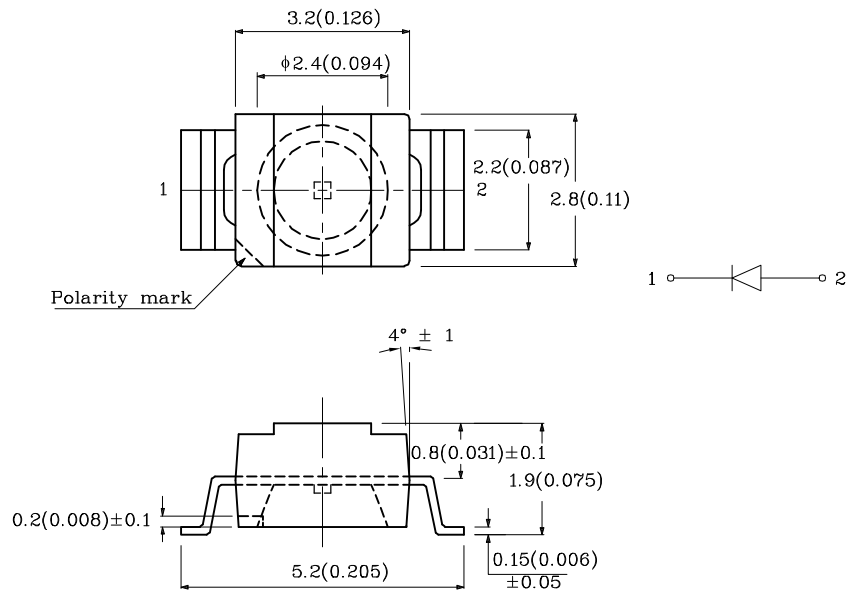
Applications

- Backlighting for tell-tale indicators
- Dashboard lighting
- Interior lighting (footwell, dome light, accent lighting, etc.)
- Exterior lighting (turn signals, side markers, CHMSL, etc.)
- Signs and signals
- Various applications requiring high temperature rating



ATTENTION
OBSERVE PRECAUTIONS
FOR HANDLING
ELECTROSTATIC
DISCHARGE
SENSITIVE
DEVICES

Package Dimensions



Notes:

1. All dimensions are in millimeters (inches).
2. Tolerance is ± 0.25 (0.01") unless otherwise noted.
3. Specifications are subject to change without notice.

| Part Number | Emitting Color | Emitting Material | Lens-color | Luminous Intensity CIE127-2007* (IF=20mA) mcd | | | Viewing Angle 2θ 1/2 |
|---------------|----------------|-------------------|-------------|---|------|------|-------------------------|
| | | | | Code. | Min. | Max. | |
| XZYG45WT-9HTA | Green | AlGaInP | Water Clear | E* | 12* | 20* | 120° |
| | | | | F* | 20* | 40* | |
| | | | | G* | 40* | 55* | |

Note:

1.01/2 is the angle from optical centerline where the luminous intensity is 1/2 of the optical peak value.

*Luminous intensity value is in accordance with CIE127-2007 standards.

Absolute Maximum Ratings at Ta=25°C

| Parameter | Symbol | Value | Unit |
|--|---------|-------------|------|
| Power dissipation | PD | 125 | mW |
| Junction temperature | TJ | 115 | °C |
| Reverse Voltage | VR | 5 | V |
| Operating Temperature | Top | -40 To +100 | °C |
| Storage Temperature | Tstg | -40 To +115 | °C |
| DC Forward Current | IF | 50 | mA |
| Peak Forward Current [2] | IFM | 150 | mA |
| Electrostatic Discharge Threshold (HBM) | | 3000 | V |
| Thermal Resistance (Junction/ambient) [1] | Rth j-a | 370 | °C/W |
| Thermal Resistance (Junction / Solder point) [1] | Rth j-s | 200 | °C/W |

Notes:

1. Rth(j-a) Results from mounting on PC board FR4 (pad size≥16 mm² per pad),
2. 1/10 Duty Cycle, 0.1ms Pulse Width.
3. A Relative Humidity between 40% and 60% is recommended in ESD-protected work areas to reduce static build up during assembly process (Reference JEDEC/JESD625-A and JEDEC/J-STD-033)

Electrical / Optical Characteristics at Ta=25°C

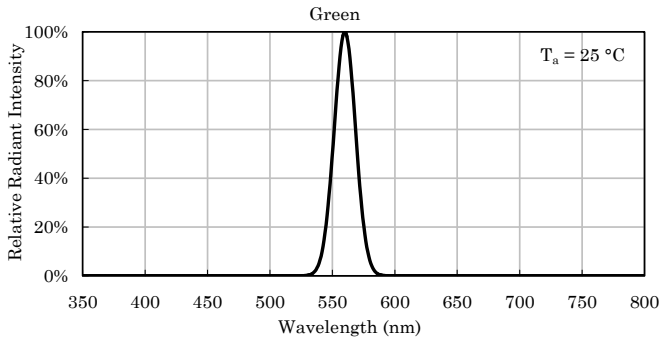
| Parameter | Symbol | Value | | | | Unit |
|--|----------|-------|------|------|------|-------|
| | | Code. | Min. | Typ. | Max. | |
| Wavelength at peak emission CIE127-2007* IF = 20mA | λpeak | - | - | 560* | - | nm |
| Dominant Wavelength CIE127-2007* IF = 20mA | λdom [1] | 0 | 556* | - | 559* | nm |
| | | 1 | 559* | - | 561* | |
| | | 2 | 561* | - | 563* | |
| Spectral bandwidth at 50% FREL MAX IF = 20mA | λD | - | - | 20 | - | nm |
| Forward Voltage IF = 20mA | VF [2] | - | - | 2.2 | 2.5 | V |
| Reverse Current VR = 5V | IR | - | - | - | 10 | μA |
| Temperature coefficient of λpeak IF = 20mA, -10°C ≤ T ≤ 100°C | TCλpeak | - | - | 0.12 | - | nm/°C |
| Temperature coefficient of λdom IF = 20mA, -10°C ≤ T ≤ 100°C | TCλdom | - | - | 0.08 | - | nm/°C |
| Temperature coefficient of VF IF = 20mA, -10°C ≤ T ≤ 100°C | TCV | - | - | -2.0 | - | mV/°C |

Notes:

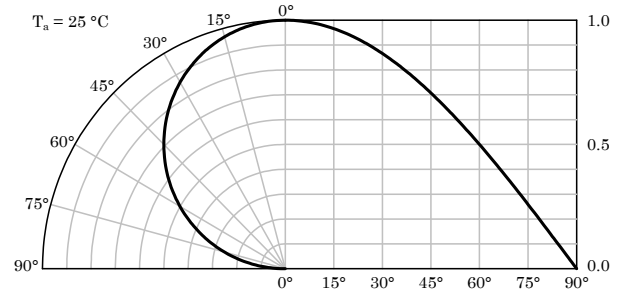
1. Wavelength : +/- 1nm.
 2. Forward Voltage: +/-0.1V.
- * Wavelength value is in accordance with CIE127-2007 standards.

Sep 17, 2019

XDSB9272 V1-Z Layout: Maggie L.

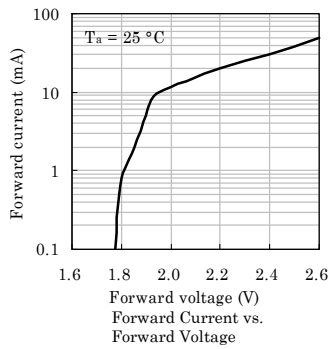


Relative Intensity Vs. CIE Wavelength

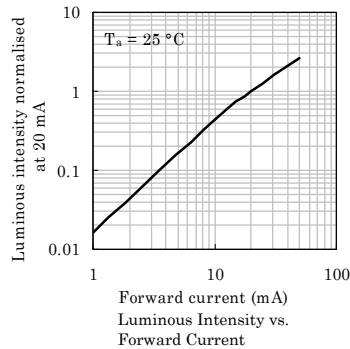


Spatial Distribution

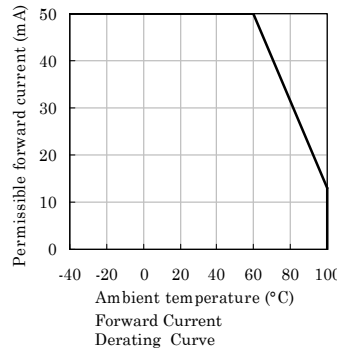
❖ Green



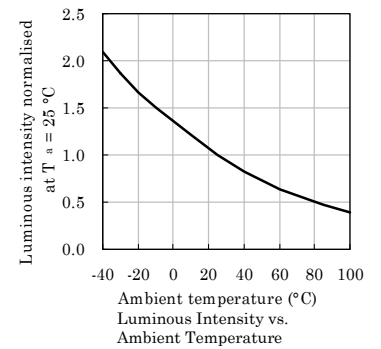
Forward Current vs. Forward Voltage



Luminous Intensity vs. Forward Current



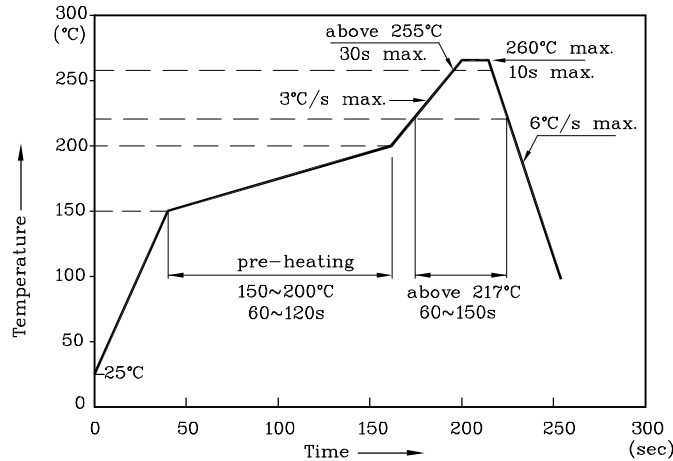
Forward Current Derating Curve



Luminous Intensity vs. Ambient Temperature

LED is recommended for reflow soldering and soldering profile is shown below.

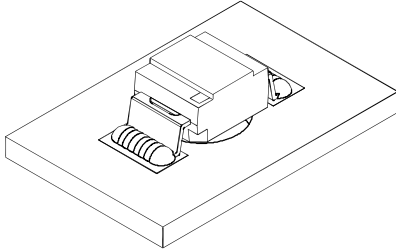
Reflow Soldering Profile for SMD Products (Pb-Free Components)



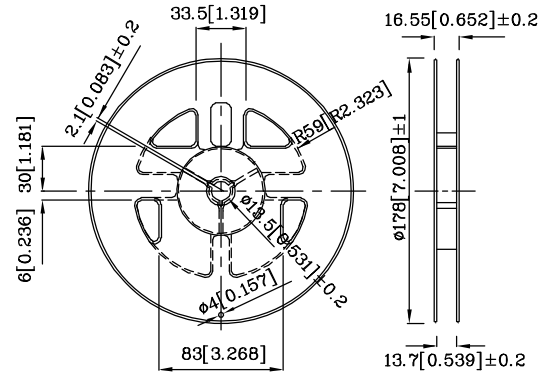
Notes:

1. All temperatures refer to the center of the package, measured on the package body surface facing up during reflow.
2. Do not apply any stress to the LED during high temperature conditions.
3. Maximum number of soldering passes: 2

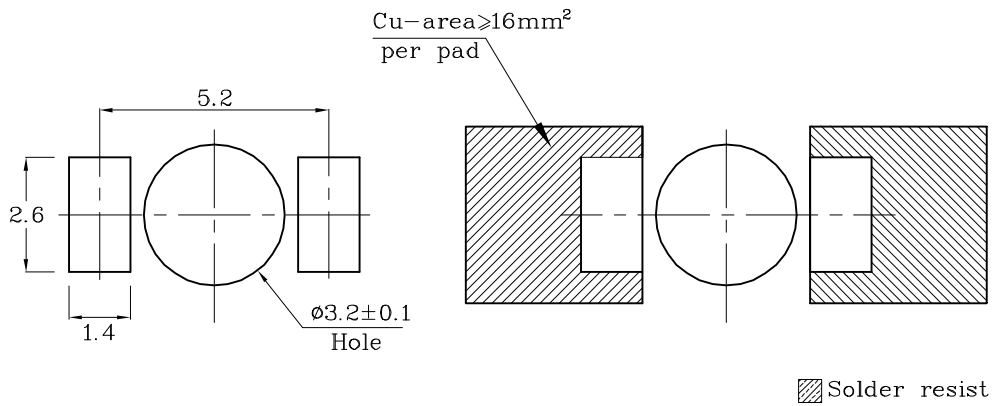
❖ The device has a single mounting surface.
The device must be mounted according to the specifications.



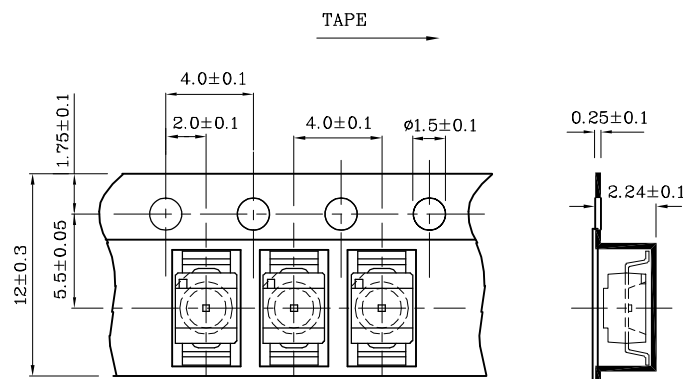
❖ Reel Dimension



Recommended Soldering Pattern (Units : mm; Tolerance: ±0.1)



❖ Tape Specification (Units : mm)



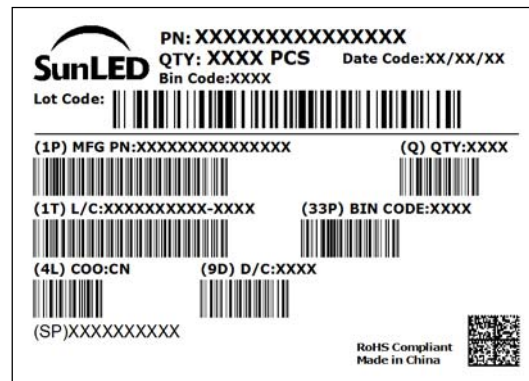
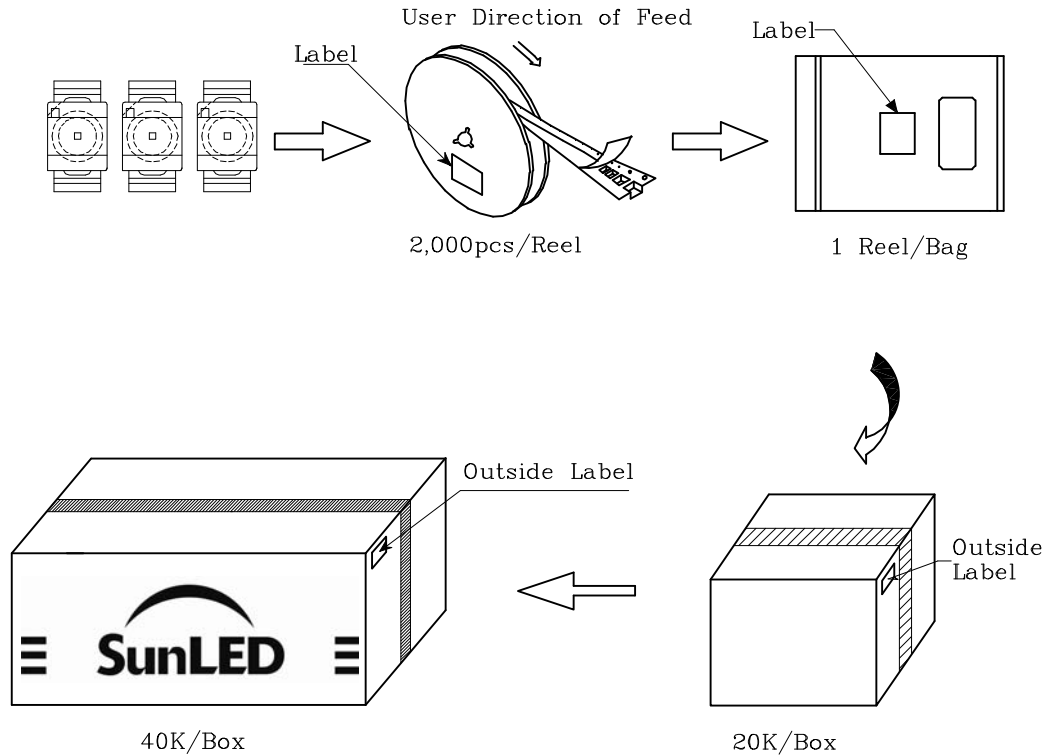
Remarks:

If special sorting is required (e.g. binning based on forward voltage, Luminous intensity / luminous flux, or wavelength), the typical accuracy of the sorting process is as follows:

1. Wavelength: +/-1nm
2. Luminous intensity / luminous flux: +/-15%
3. Forward Voltage: +/-0.1V

Note: Accuracy may depend on the sorting parameters.

PACKING & LABEL SPECIFICATIONS



TERMS OF USE

1. Data presented in this document reflect statistical figures and should be treated as technical reference only.
2. Contents within this document are subject to improvement and enhancement changes without notice.
3. The product(s) in this document are designed to be operated within the electrical and environmental specifications indicated on the datasheet. User accepts full risk and responsibility when operating the product(s) beyond their intended specifications.
4. The product(s) described in this document are intended for electronic applications in which a person's life is not reliant upon the LED. Please consult with a SunLED representative for special applications where the LED may have a direct impact on a person's life.
5. The contents within this document may not be altered without prior consent by SunLED.
6. Additional technical notes are available at <https://www.SunLEDusa.com/TechnicalNotes.asp>

Reliability Test Items And Conditions

The reliability of products shall be satisfied with items listed below

Lot Tolerance Percent Defective (LTPD) : 10%

| No. | Test Item | Standards | Test Condition | Test Times / Cycles | Number of Damaged |
|-----|--------------------------------------|------------------------|--|---------------------|-------------------|
| 1 | Continuous operating test | - | $T_a = 25^{\circ}\text{C}$, $I_F =$ maximum rated current * | 1,000 h | 0 / 22 |
| 2 | High Temp. operating test | EIAJ ED-4701/100 (101) | $T_a = 100^{\circ}\text{C}$, $I_F =$ maximum rated current * | 1,000 h | 0 / 22 |
| 3 | Low Temp. operating test | - | $T_a = -40^{\circ}\text{C}$, $I_F =$ maximum rated current * | 1,000 h | 0 / 22 |
| 4 | High temp. storage test | EIAJ ED-4701/100 (201) | $T_a =$ maximum rated storage temperature | 1,000 h | 0 / 22 |
| 5 | Low temp. storage test | EIAJ ED-4701/100 (202) | $T_a = -40^{\circ}\text{C}$ | 1,000 h | 0 / 22 |
| 6 | High temp. & humidity storage test | EIAJ ED-4701/100 (103) | $T_a = 60^{\circ}\text{C}$, RH = 90% | 500 h | 0 / 22 |
| 7 | High temp. & humidity operating test | EIAJ ED-4701/100 (102) | $T_a = 60^{\circ}\text{C}$, RH = 90% $I_F =$ maximum rated current * | 500 h | 0 / 22 |
| 8 | Soldering reliability test | EIAJ ED-4701/100 (301) | Moisture soak: 30°C , 70% RH, 72h Preheat: $150\sim 180^{\circ}\text{C}$ (120s max.) Soldering temp: 260°C (10s) | 2 times | 0 / 18 |
| 9 | Thermal shock operating test | - | $T_a = -40^{\circ}\text{C}$ (15min) ~ 100°C (15min) $I_F =$ derated current at 100°C | 1,000 cycles | 0 / 22 |
| 10 | Thermal shock test | - | $T_a = -40^{\circ}\text{C}$ (15min) ~ maximum rated Storage temperature(15min) | 1,000 cycles | 0 / 22 |
| 11 | Electric Static Discharge (ESD) | EIAJ ED-4701/100 (304) | $C = 100\text{pF}$, $R_2 = 1.5\text{K}\Omega$ $V = 3000\text{V}$ | Once each Polarity | 0 / 22 |
| 12 | Vibration test | - | $a = 196\text{m/s}^2$, $f = 100\sim 2\text{KHz}$, $t = 48\text{min}$ for all xyz axes | 4 times | 0 / 22 |

* : Refer to forward current vs. derating curve diagram

Criteria for Judging Damage

| Items | Symbols | Conditions | Failure Criteria |
|-------------------------|---------|---------------------------------------|--|
| luminous Intensity | I_v | $I_F = 20\text{mA}$ | Testing Min. Value < Spec.Min.Value x 0.5 |
| Forward Voltage | V_F | $I_F = 20\text{mA}$ | Testing Max. Value \geq Spec.Max.Value x 1.2 |
| Reverse Current | I_R | $V_R =$ Maximum Rated Reverse Voltage | Testing Max. Value \geq Spec.Max.Value x 2.5 |
| High temp. storage test | - | - | Occurrence of notable decoloration, deformation and cracking |